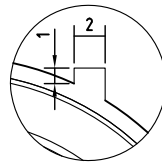
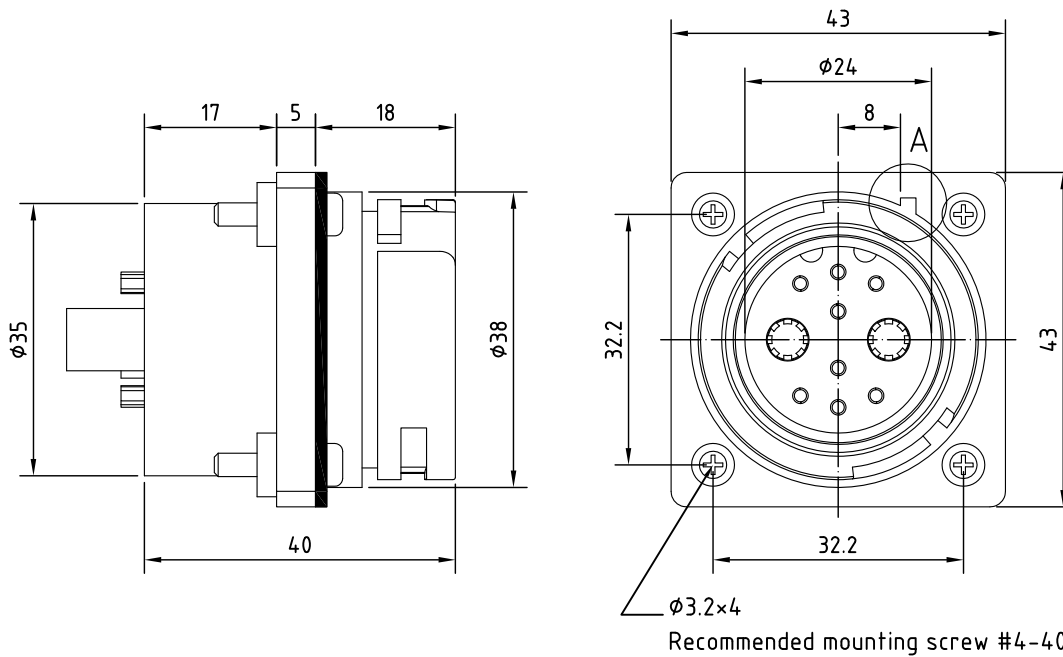


REV.	Description	Date
1	spec. add UL94V-0	2012/3/6
2	spec. revise	2012/5/18
3	rated voltage, contact resistance, insertion/withdrawal force revise	2016/4/19
4	rated current revise	2018/10/5



A SECTION



Specification of connector

Locking system	: Twist Lock
Shell protection	: IP67
Rated voltage	: 360V
Rated current	: Large pin 65A Small pin 10A
Contact resistance	: Large pin <5mΩ Small pin <30mΩ
Insertion force	: <80N
Separation force	: <80N
Durability	: 3000 cycle

RoHS

TOLERANCE X±0.5 X.X±0.3

5	Pin	Brass	Gold Ptd.
4	Setscrew	SUS #4-40	
3	Nut	SUS #4-40	
2	Pad	Rubber	
1	Body	PA	UL94V-0
Item	Description	Material	Treat & Remark



Unicable Co., Ltd. 國陽電業有限公司

5F., No. 111-33, Sec. 4, San Ho Road., San Chung Dist., New Taipei City, Taiwan, R.O.C.
http://www.unicable.com.tw TEL:+886-2-2286-2122 FAX:+886-2-2286-1010

DATE	2018/10/5	PART NO.	UT-SD257F2-XP
DWN	GINA	REV.	4
CHK			
ITEM	High Power	UNIT	MM